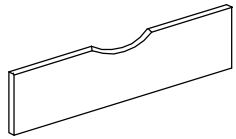
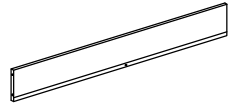


PART LIST:



01 Front Panel 2PCS



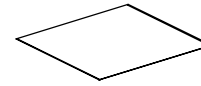
02 Back Panel 2PCS



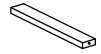
03 Left Panel with Caster 2PCS



04 Right Panel with Caster 2PCS

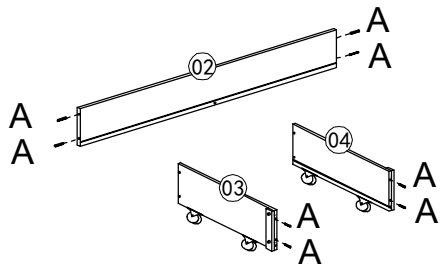


05 Bottom panel 2PCS

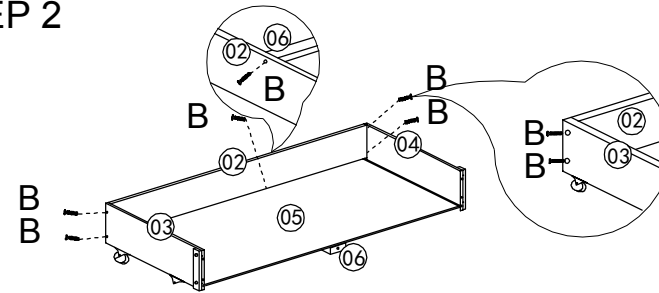


06 Stretcher 2PCS

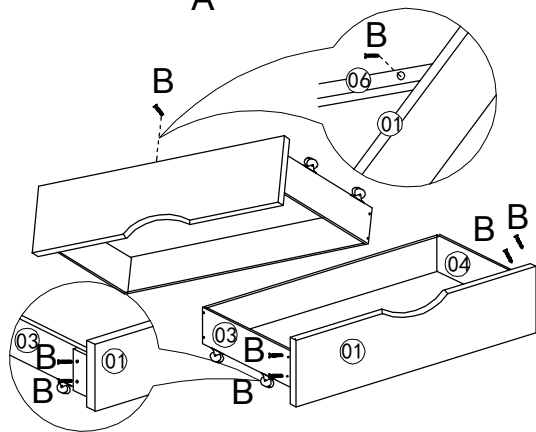
STEP 1



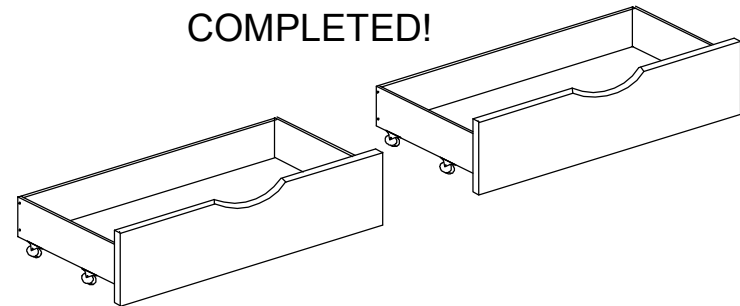
STEP 2



STEP 3



COMPLETED!



HARDWARE LIST

A		Wood dowel	1 3/16"	16PCS	B 	Screw	5/32"X1 3/8"	20 PCS
---	---	------------	---------	-------	---	-------	--------------	--------