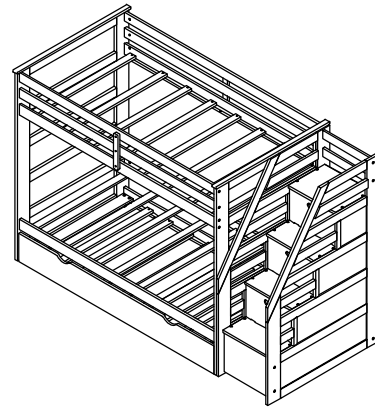


| WOOD PARTS | | |
|---|---------------------------|--------|
| NO | DESCRIPTION | QTY |
| Box A: (1 + 2 + 3A + 3B + 8) | | |
| 1 | HEAD BOARD | 1PC |
| 2 | FOOT BOARD | 1PC |
| 3A | FOOT BOARD ATTACH (LEFT) | 1PC |
| 3B | FOOT BOARD ATTACH (RIGHT) | 1PC |
| 8 | BACK PANEL | 1PC |
| Box B: (4A + 4B + 4C + 5 + 17 + 18 + 19 + 20) | | |
| 4A | LOWER FRONT SIDE RAIL | 1PC |
| 4B | LOWER BACK SIDE RAIL | 1PC |
| 4C | UPPER SIDE RAIL | 2PCS |
| 5 | GUARD RAIL | 4PCS |
| 17 | FRONT DRW PANEL | 1PC |
| 18 | SIDE DRW PANEL | 2PCS |
| 19 | BACK DRW PANEL | 1PC |
| 20 | GUARDRAIL SUPPORT | 2PCS |
| Box C: (6A + 6B + 7 + 9 + 10 + 11 + 12 + 13 + 14 + 15 + 16) | | |
| 6A | SLAT | 16 PCS |
| 6B | SLAT | 8PCS |
| 7 | BACK BAR | 3PCS |
| 9 | FRONT PANEL (1) | 1PC |
| 10 | FRONT PANEL (2) | 3PCS |
| 11 | STEP PANEL (1) | 1PC |
| 12 | STEP PANEL (2) | 2PCS |
| 13 | STEP PANEL (3) | 1PC |
| 14 | BOTTOM PANEL 1 | 1PC |
| 15 | BOTTOM PANEL 2 | 1PC |
| 16 | BOTTOM PANEL 3 | 1PC |

| HARDWARE PARTS | | |
|-----------------|--------------------------------|--------|
| NO | DESCRIPTION | QTY |
| Packed in Box A | | |
| A | LONG BOLT Ø15 x 1/4" x 80 mm | 30 Pcs |
| B | CROSS NUT Ø12 x 1/4" x 15 mm | 22 Pcs |
| C | SHORT BOLT Ø13 x 1/4" x 30 mm | 30 Pcs |
| D | WOOD DOWL Ø8 x 30mm | 28 Pcs |
| E | CROSS NUT Ø10 x 1/4" x 12mm | 8 Pcs |
| F | SCREW Ø 7 x 15 mm (Vit dau du) | 18 Pcs |
| G | SCREW Ø 8 x 35 mm | 48 Pcs |
| H | WHEEL | 4 Pcs |
| I | ALLEN KEY M4 | 1 Pcs |
| J | BOLT Ø15 x 1/4" x 30 mm | 6 Pcs |
| K | SCRFW Ø 6 x 15 mm | 12 Pcs |



SAFETY WARNINGS

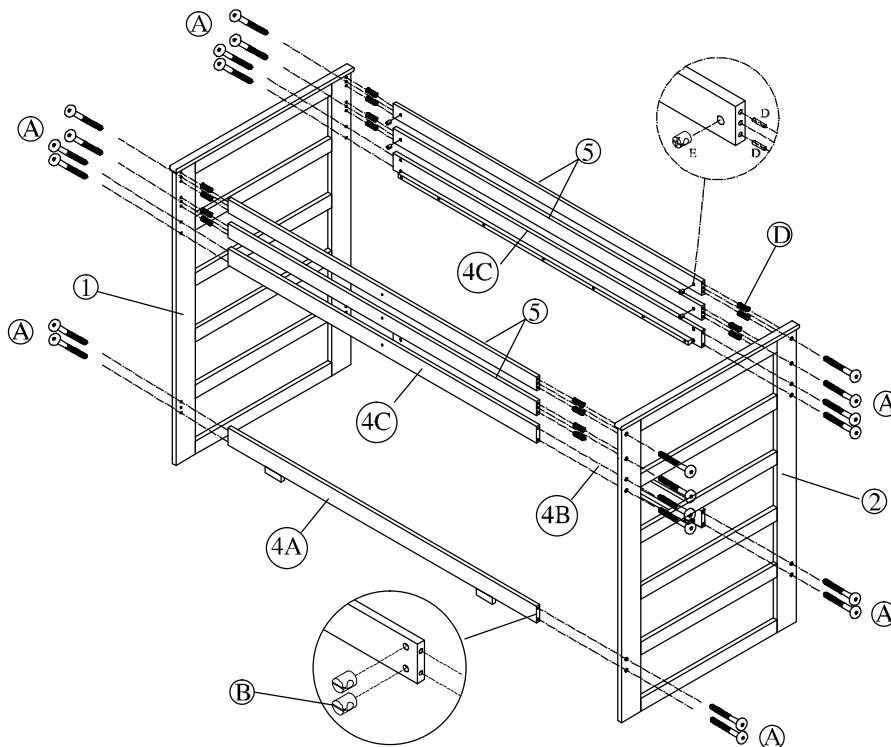
- Follow the information on the warning label appearing on the upper bunk end structure and on the carton... **Do not remove warning label from bed.**
- Always use the recommended size mattress or mattress support, or both, to help prevent the likelihood of entrapment or falls.
- Surface of mattress must be at least 5 inches below the upper edge of guard rails.
- Do not allow children under 6 years to use the upper bunk.
- Prohibit more than one person on upper bunk.
- Periodically check and ensure that the guardrail, ladder, and other components are in their proper position, free from damage, and that all connectors are tight.
- Do not allow horseplay on or under the bed and prohibit jumping on the bed.
- Always use the ladder for entering and leaving upper bunk.
- Do not use substitute part. Contact the manufacturer or dealer for replacement part.
- Use of night light may provide added safety precaution for a child using the upper bunk.
- If the bunk bed will be placed next to a wall, the guardrail that runs the full length of the bed should be placed against the wall to prevent entrapment between the bed and the wall.
- Always use guardrail on both long sides of the upper bunk.
- The use of water or sleep flotation mattresses is prohibited.
- Keep these instruction for future reference.
- Strangulation Hazard** - Never attach or hang items to any part of the bunk bed that are not designed for use with the bed, for example, but not limited to hooks, belts and jump rores.

*** NOTE :**

THIS ITEM NOT RECOMMENDED FOR COMMERCIAL USE KEEP THIS DOCUMENT FOR REFERENCE IN CASE PARTS ARE NEEDED DO NOT TIGHTEN SCREWS UNTIL COMPLETELY ASSEMBLED !!!

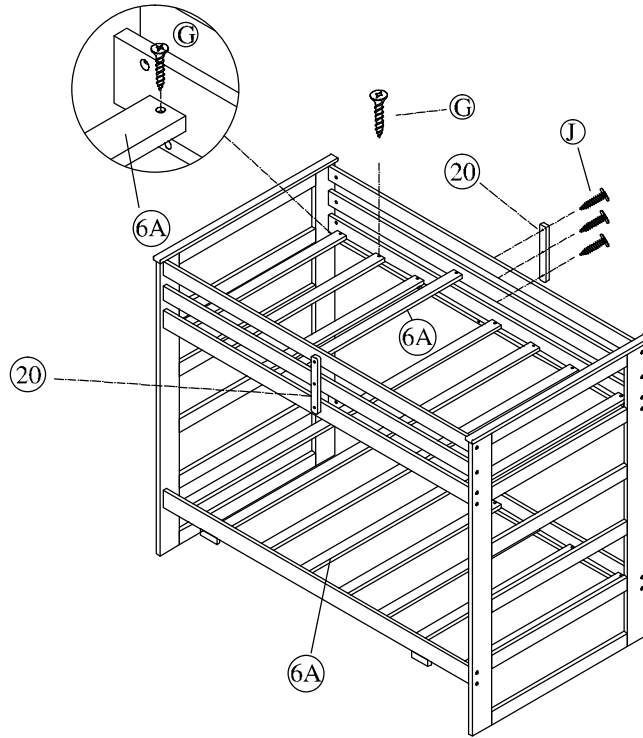
Step 1

ASSEMBLY INSTRUCTION MODEL : 45165



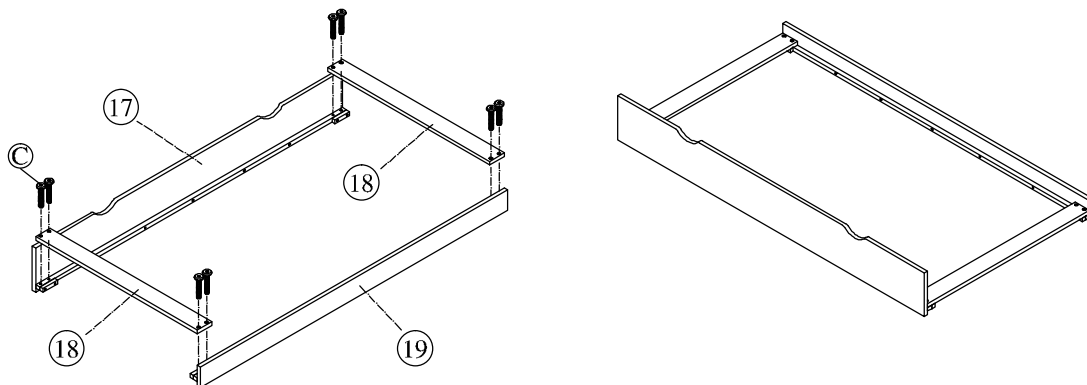
Step 2

ASSEMBLY INSTRUCTION MODEL : 45165



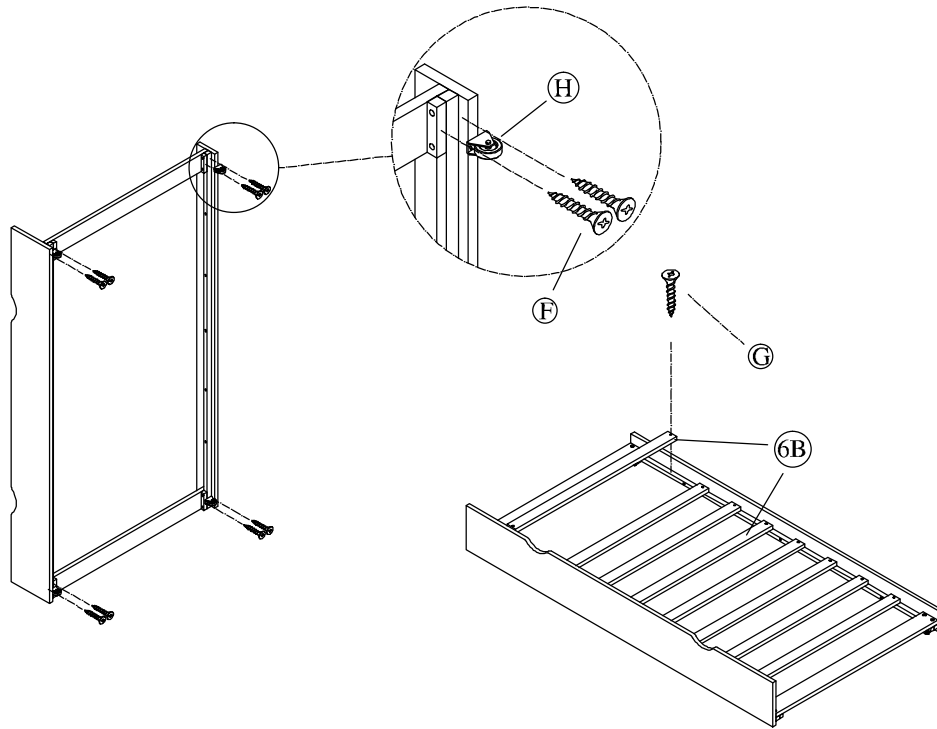
Step 3

ASSEMBLY INSTRUCTION MODEL : 45165



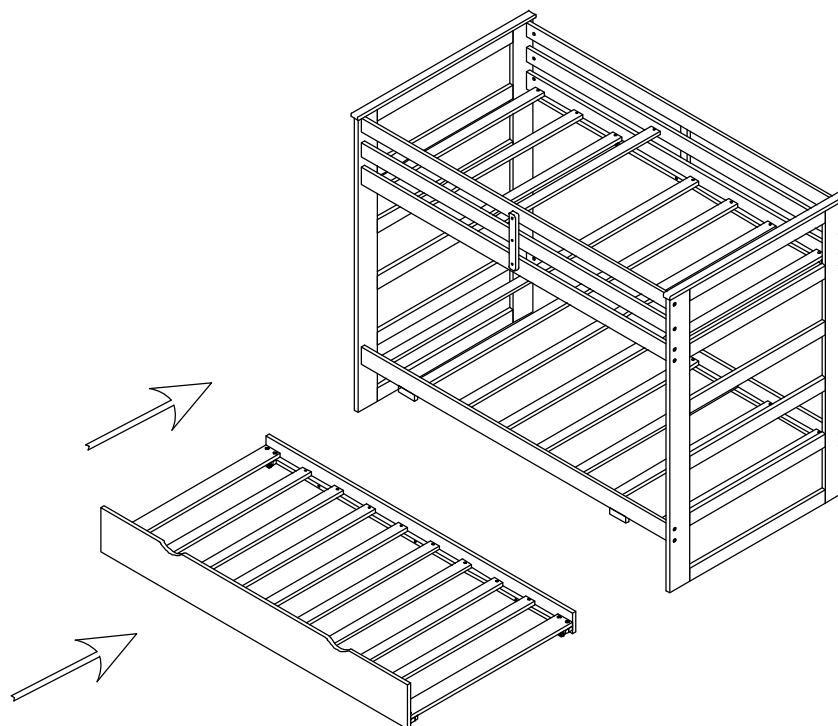
Step 4

ASSEMBLY INSTRUCTION MODEL : 45165



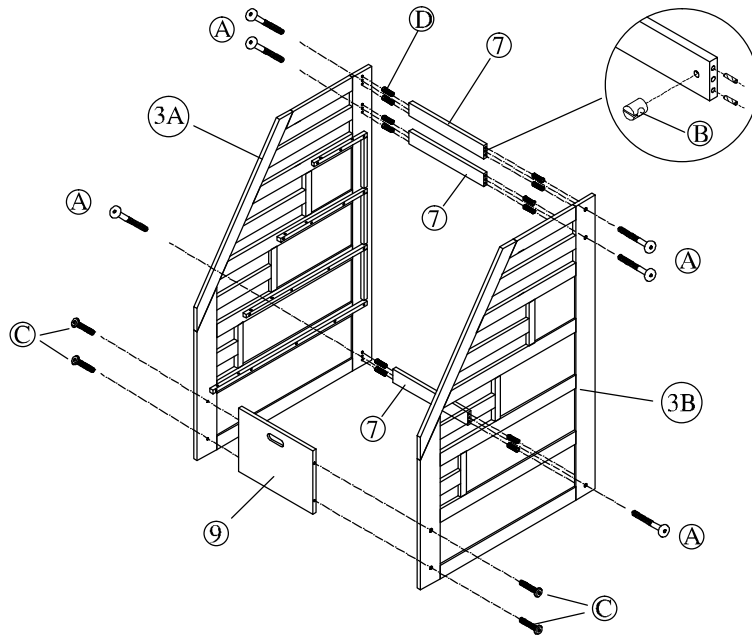
Step 5

ASSEMBLY INSTRUCTION MODEL : 45165



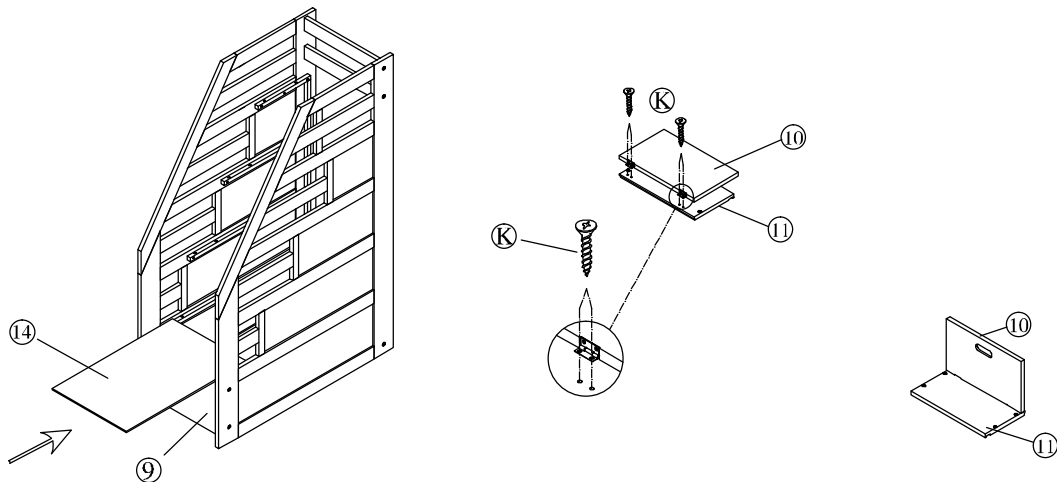
Step 6

ASSEMBLY INSTRUCTION MODEL : 45165



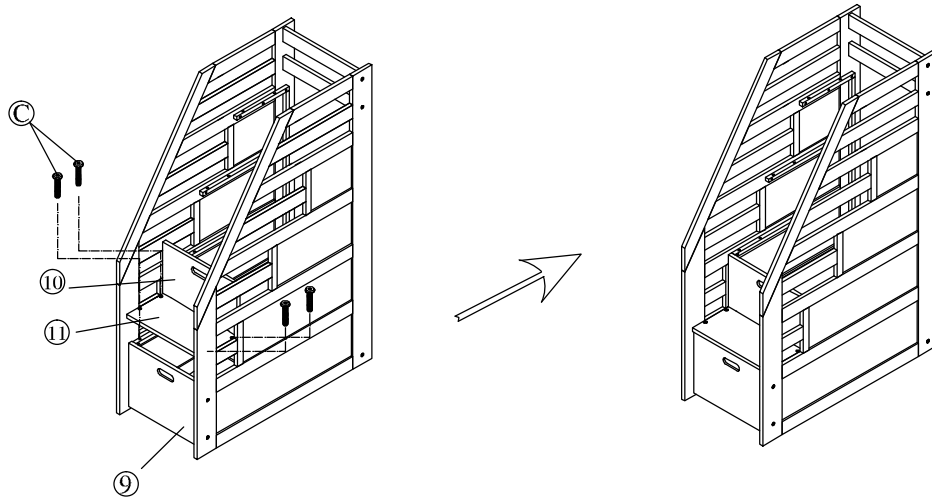
Step 7

ASSEMBLY INSTRUCTION MODEL : 45165



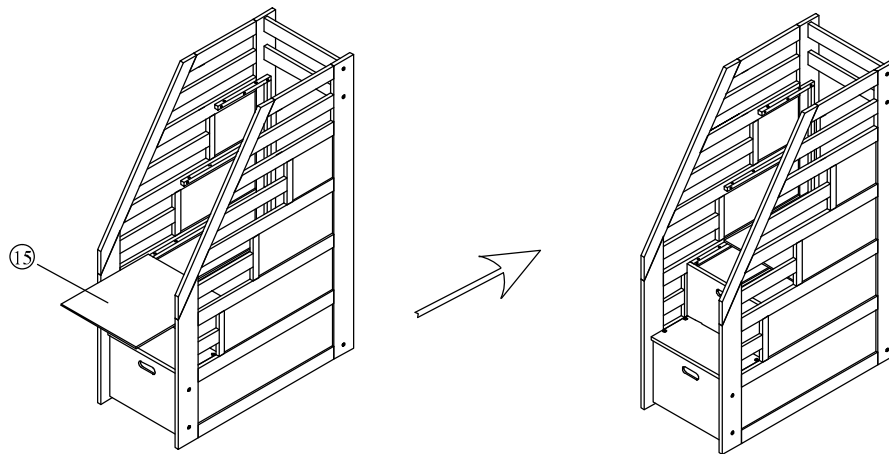
Step 8

ASSEMBLY INSTRUCTION MODEL : 45165



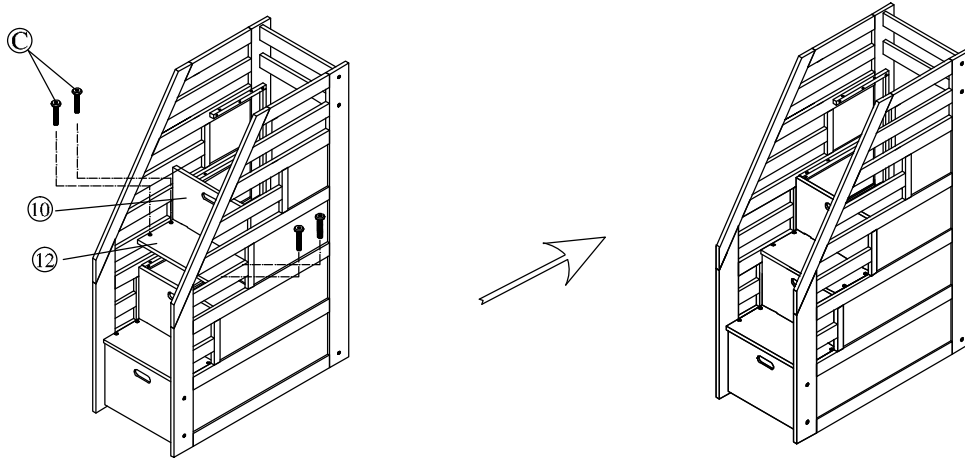
Step 9

ASSEMBLY INSTRUCTION MODEL : 45165



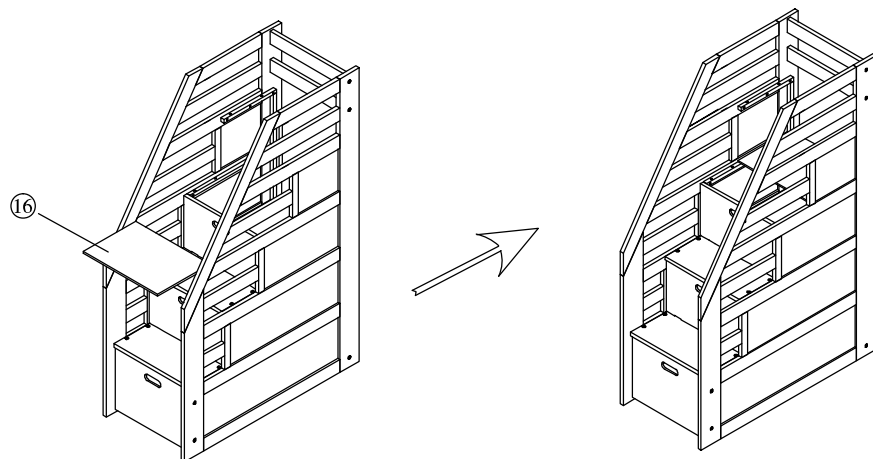
Step 10

ASSEMBLY INSTRUCTION MODEL : 45165



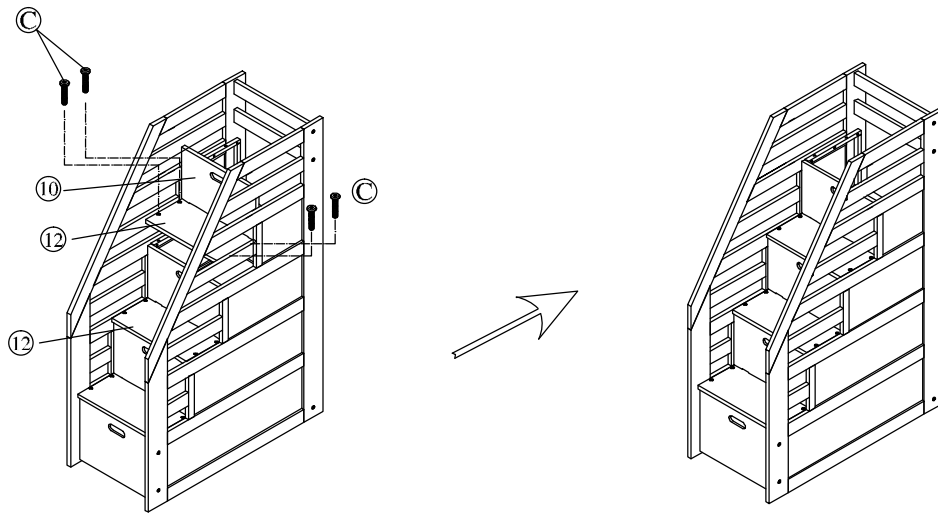
Step 11

ASSEMBLY INSTRUCTION MODEL : 45165



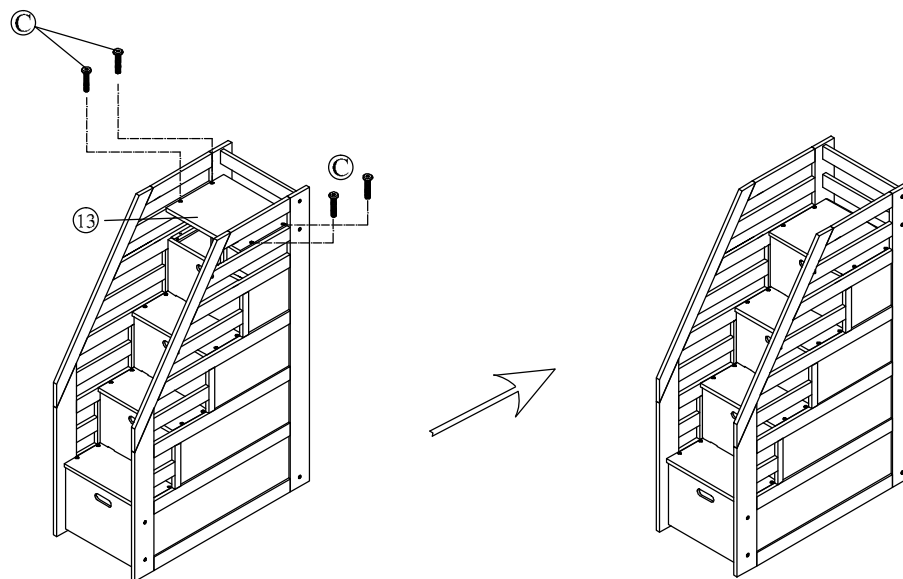
Step 12

ASSEMBLY INSTRUCTION MODEL : 45165



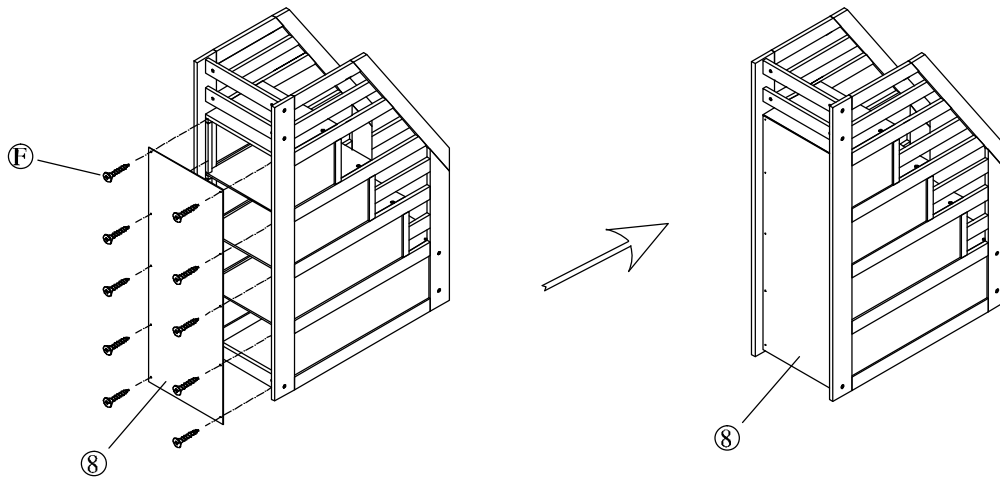
Step 13

ASSEMBLY INSTRUCTION MODEL : 45165



Step 14

ASSEMBLY INSTRUCTION MODEL : 45165



Step 15

ASSEMBLY INSTRUCTION MODEL : 45165

