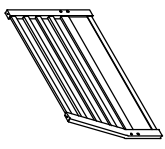
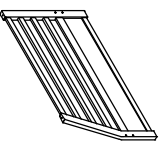
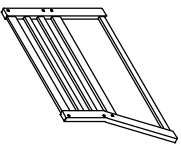
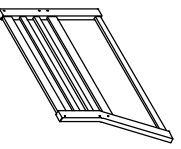


# PARTS LIST & ILLUSTRATION

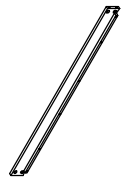
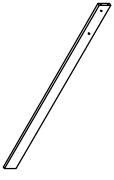
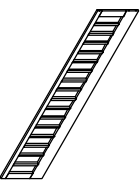
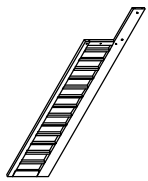
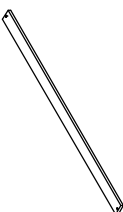

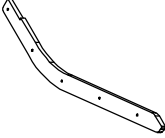

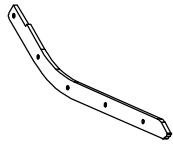
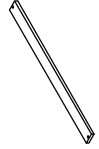
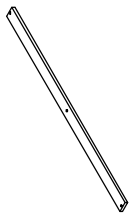
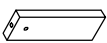
2

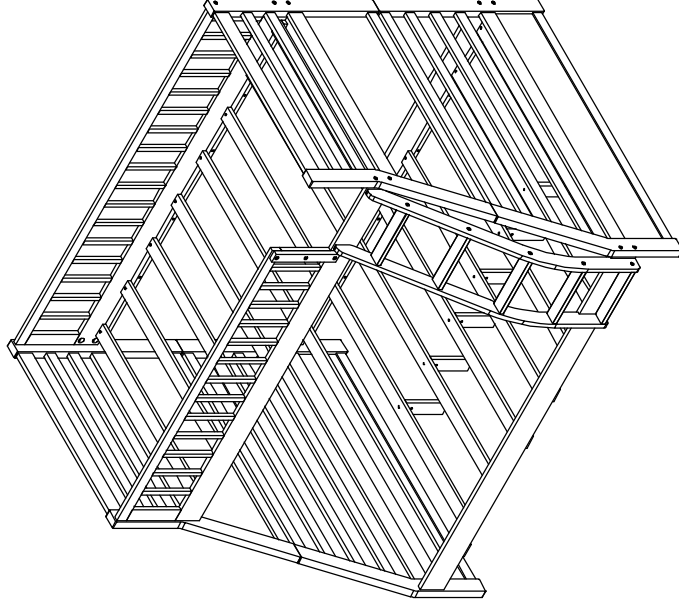
--- Note : Do Not Fully Tighten Screws until Fully Assembled ---

## Box A (A + B + E + F)

<p><b>A</b></p>  <p>Bottom right panel 1pc</p>	<p><b>B</b></p>  <p>Bottom left panel 1pc</p>	<p><b>E</b></p>  <p>Top right side panel 1pc</p>	<p><b>F</b></p>  <p>Top left side panel 1pc</p>
-----------------------------------------------------------------------------------------------------------------------------------	----------------------------------------------------------------------------------------------------------------------------------	-------------------------------------------------------------------------------------------------------------------------------------	------------------------------------------------------------------------------------------------------------------------------------

## Box B (C + D + G + H + I + J + P + Q + R + N + O + S)

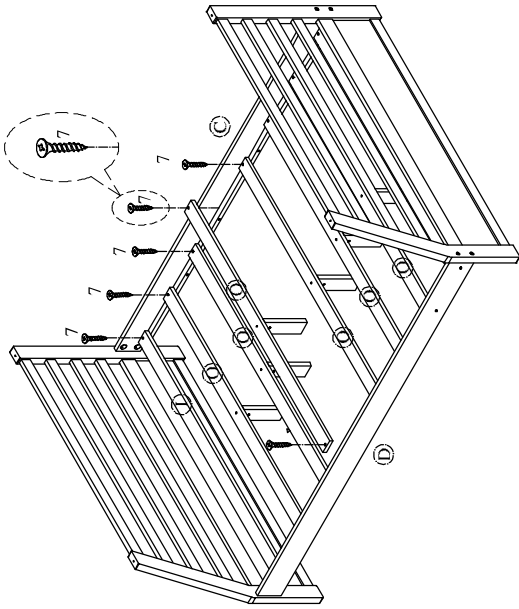
<p><b>C</b></p>  <p>Lower back side rail 1pc</p>	<p><b>D</b></p>  <p>Lower front side rail 1pc</p>	<p><b>G</b></p>  <p>Back upper side rail 1pc</p>	<p><b>H</b></p>  <p>Front upper side rail 1pc</p>
<p><b>I</b></p>  <p>Bottom slits 2pcs</p>	<p><b>J</b></p>  <p>Guardrail reinforce bar 1pc</p>	<p><b>P</b></p>  <p>Ladder left side rail 1pc</p>	<p><b>Q</b></p>  <p>Ladder step 5pcs</p>
<p><b>R</b></p>  <p>Ladder right side rail 1pc</p>	<p><b>N</b></p>  <p>Upper slits 8pcs</p>	<p><b>O</b></p>  <p>Bottom slits 6pcs</p>	<p><b>S</b></p>  <p>Center supports 6pcs</p>



## SAFETY WARNINGS

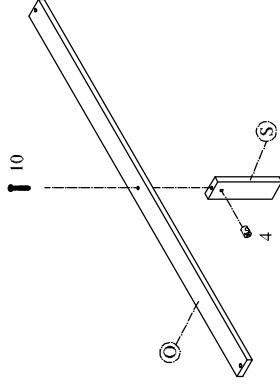
1. Follow the information on the warning label appearing on the upper bunk end structure and on the carton... **Do not remove warning label from bed.**
2. Always use the recommended size mattress or mattress support, or both, to help prevent the likelihood of entrapment or falls.
3. Surface of mattress must be at least 5 inches below the upper edge of guard rails.
4. Do not allow children under 6 years to use the upper bunk.
5. Prohibit more than one person on upper bunk.
6. Periodically check and ensure that the guardrail, ladder, and other components are in their proper position, free from damage, and that all connectors are tight.
7. Do not allow horseplay on or under the bed and prohibit jumping on the bed.
8. Always use the ladder for entering and leaving upper bunk.
9. Do not use substitute part. Contact the manufacturer or dealer for replacement part.
10. Use of night light may provide added safety precaution for a child using the upper bunk. If the bunk bed will be placed next to a wall, the guardrail that runs the full length of the bed should be placed against the wall to prevent entrapment between the bed and the wall.
11. Always use guardrail on both long sides of the upper bunk.
12. The use of water or sleep flotation mattresses is prohibited.
13. Keep these instruction for future reference.
14. Strangulation Hazard - Never attach or hang items to any part of the bunk bed that are not designed for use with the bed, for example, but not limited to hooks, bells and jump ropes.
- 15.

Step 3



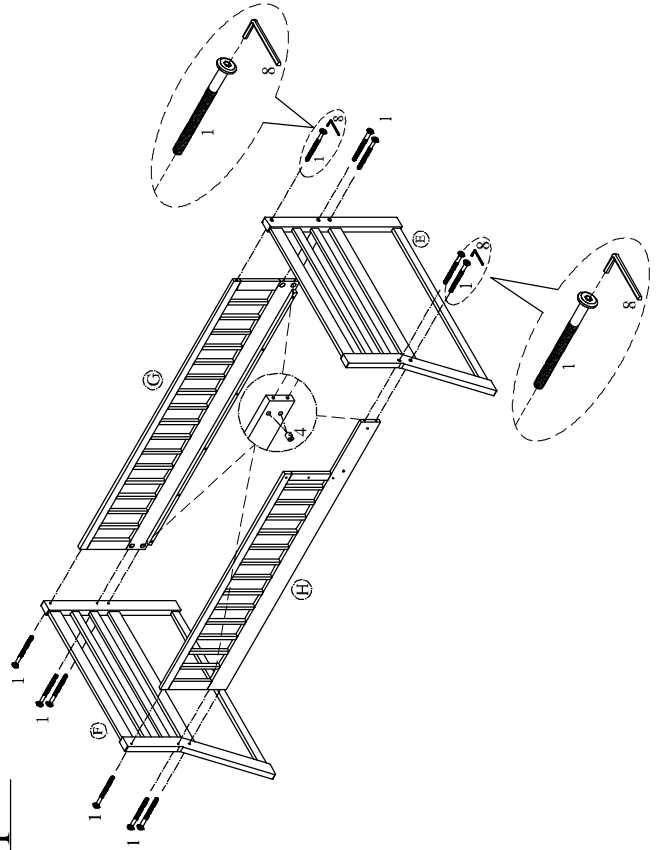
5

Step 1

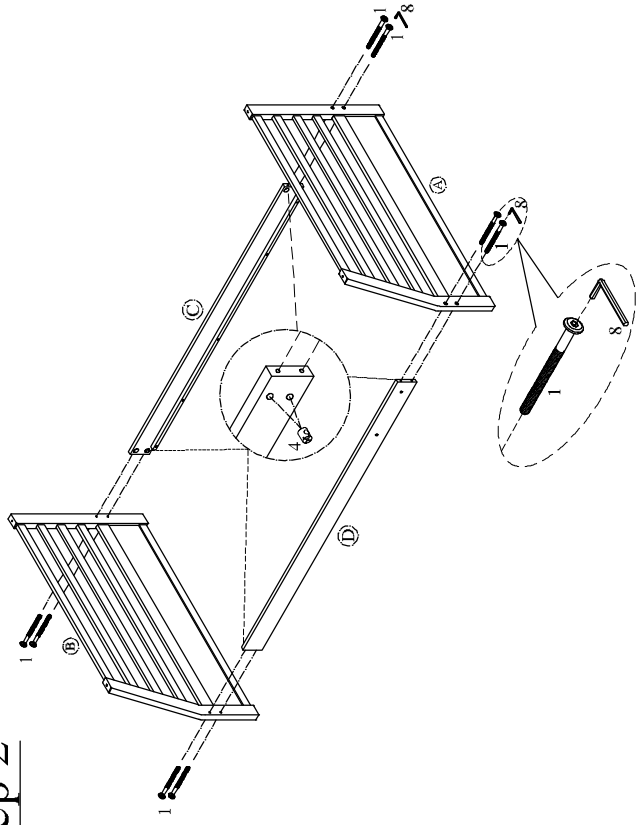


4

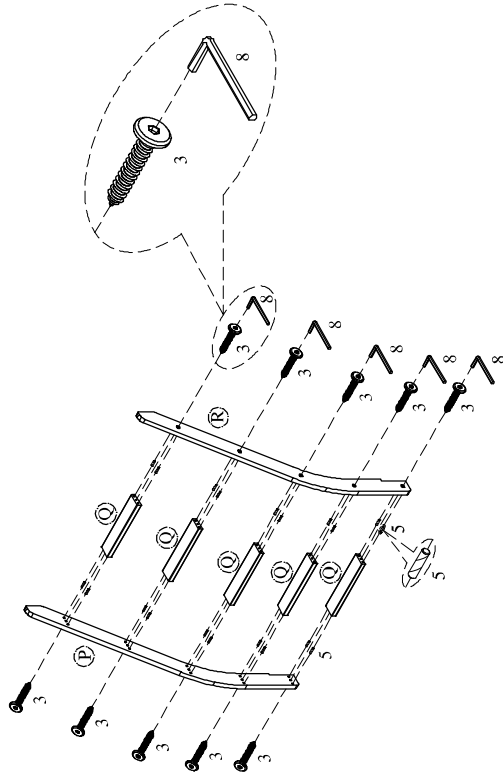
Step 4



Step 2

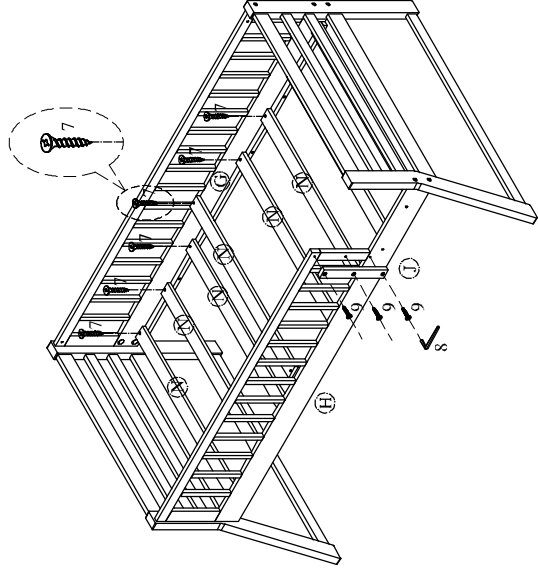


Step 7



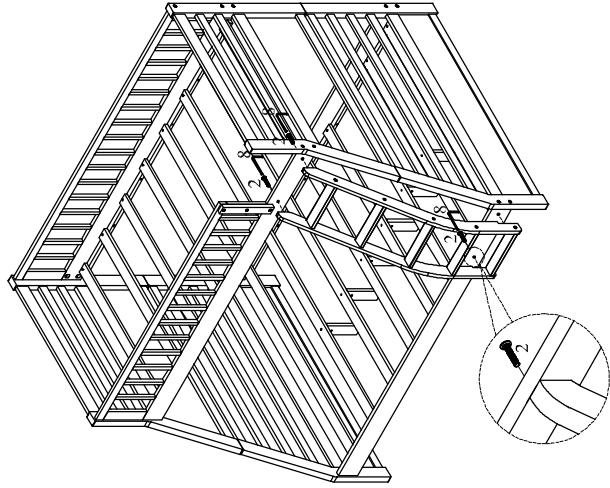
7

Step 5



6

Step 8



Step 6

